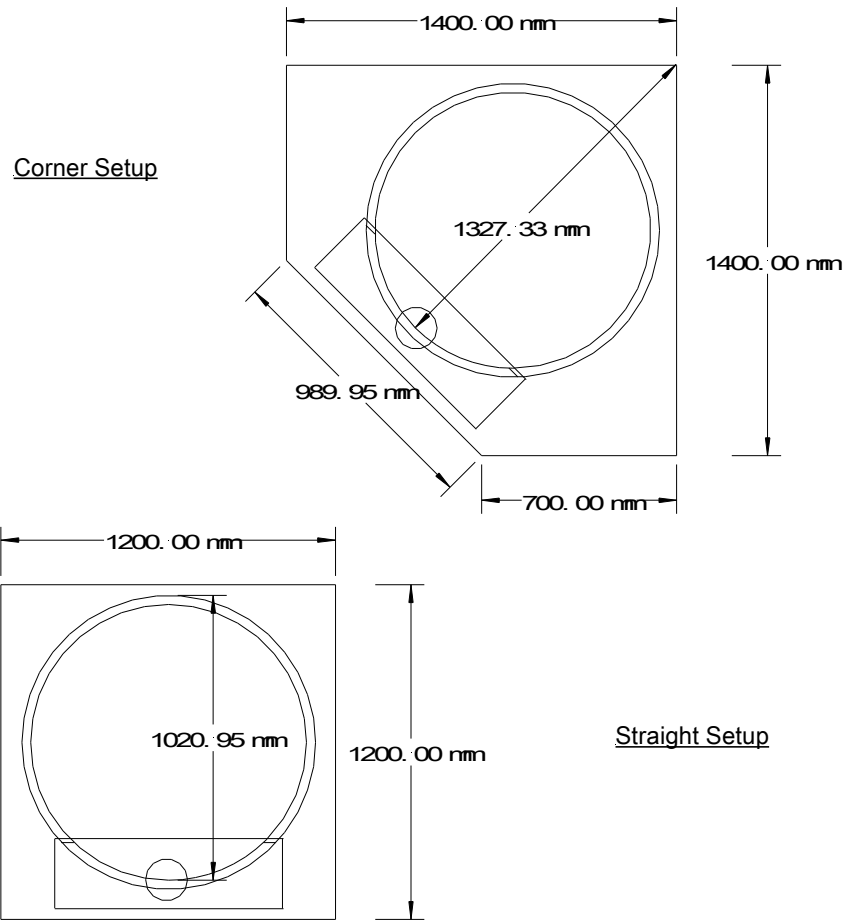


## Z1100 Upstand Specs



Both upstand require an 80mm reinforced concrete top.  
It is VERY important that the top is level and flat.